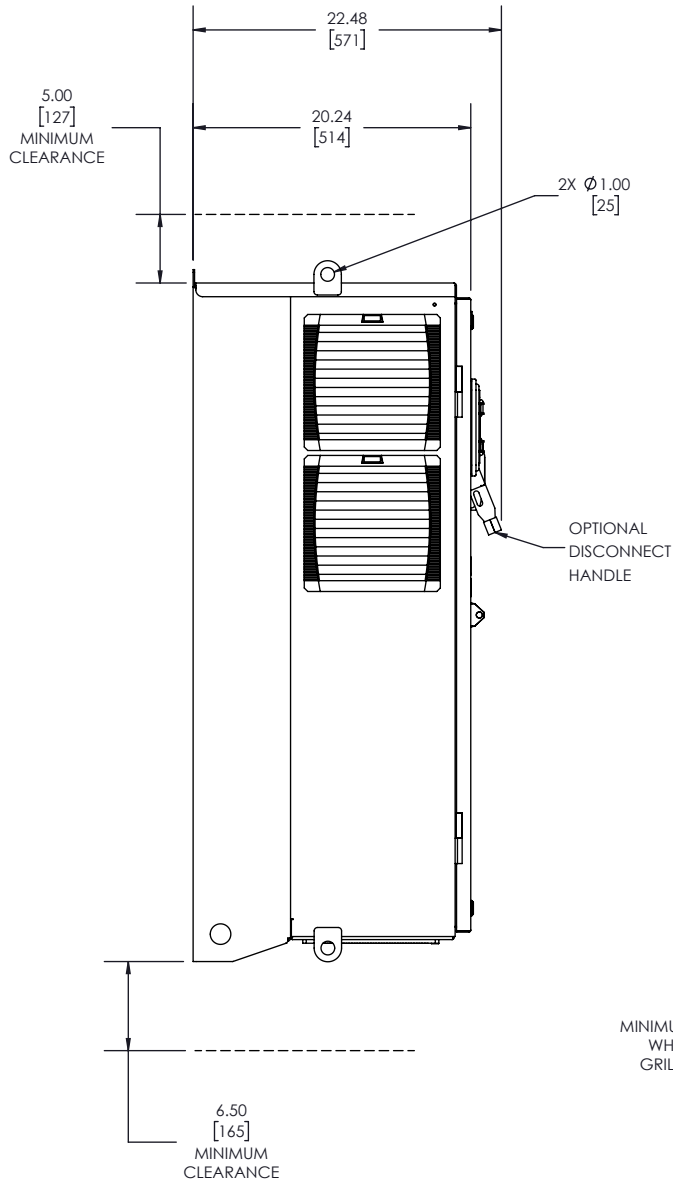
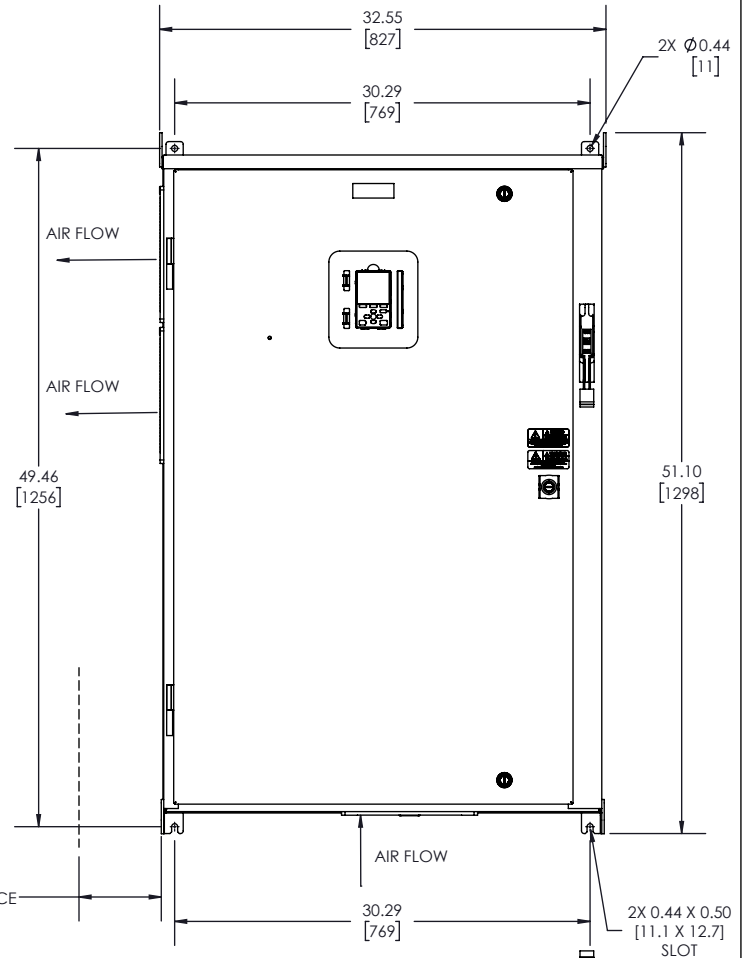
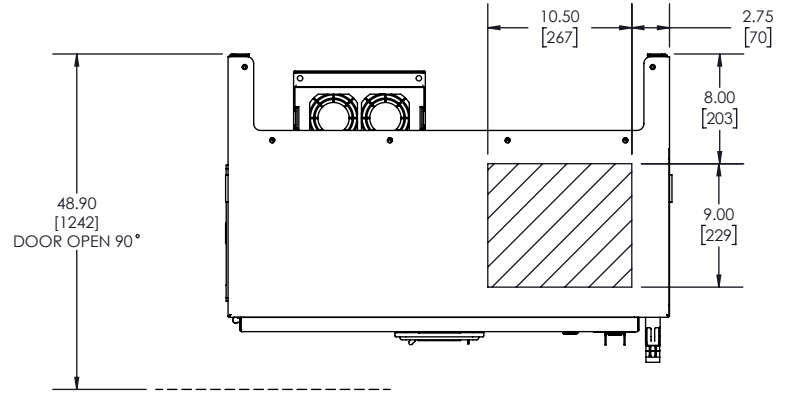


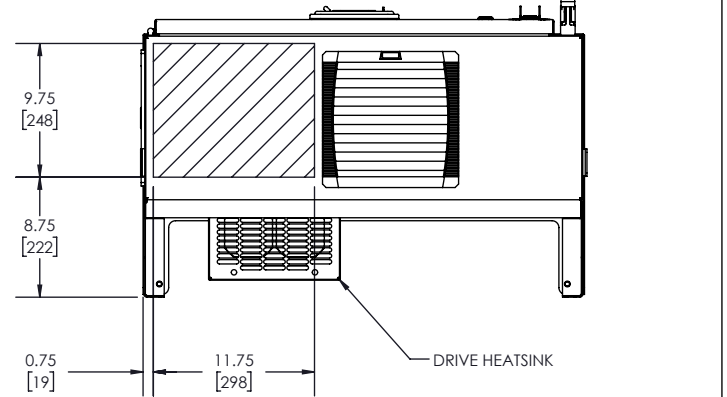
5.00
[127]
MINIMUM
CLEARANCE



48.90
[1242]
DOOR OPEN 90°



6.00
[152]
MINIMUM CLEARANCE
WHEN EXHAUST
GRILLE IS PRESENT



NOTES:

- A. FOR REFERENCE UNLESS PROPERLY ENDORSED. FOR ADDITIONAL DETAILS AND SPECIFICATIONS, CONSULT YASKAWA AMERICA, INC.
- B. DIMENSIONS ARE IN INCHES [MILLIMETERS]
- C. USE APPROPRIATE TYPE RATED HUBS OR FITTINGS TO MAINTAIN ENCLOSURE RATING.
- D. HATCHED AREA INDICATES PERMISSIBLE CONDUIT ENTRANCE AREA.
- E. FANS, FILTERS AND/OR CLOSING PLATES ARE SUPPLIED AS NEEDED PER OPTION SELECTIONS.

YASKAWA

THIS DOCUMENT AND INFORMATION CONTAINED IN IT ARE
CONFIDENTIAL AND CANNOT BE COPIED OR DISCLOSED
IN WHOLE OR IN PART WITHOUT THE EXPRESS WRITTEN
CONSENT OF YASKAWA AMERICA, INC.

UNITS: INCHES

SCALE: NONE

ORIGINAL DESIGN:
A. Jandrin

DATE:
10/29/2019

TITLE:

**DIMENSION DRAWING,
GA800, W4, TYPE 12**

DRAWN:
A. Jandrin

DATE:
10/29/2019

CHECKED:
D. Guckenberger

DATE:
10/29/2019

SIZE:
A

REVISION:
00

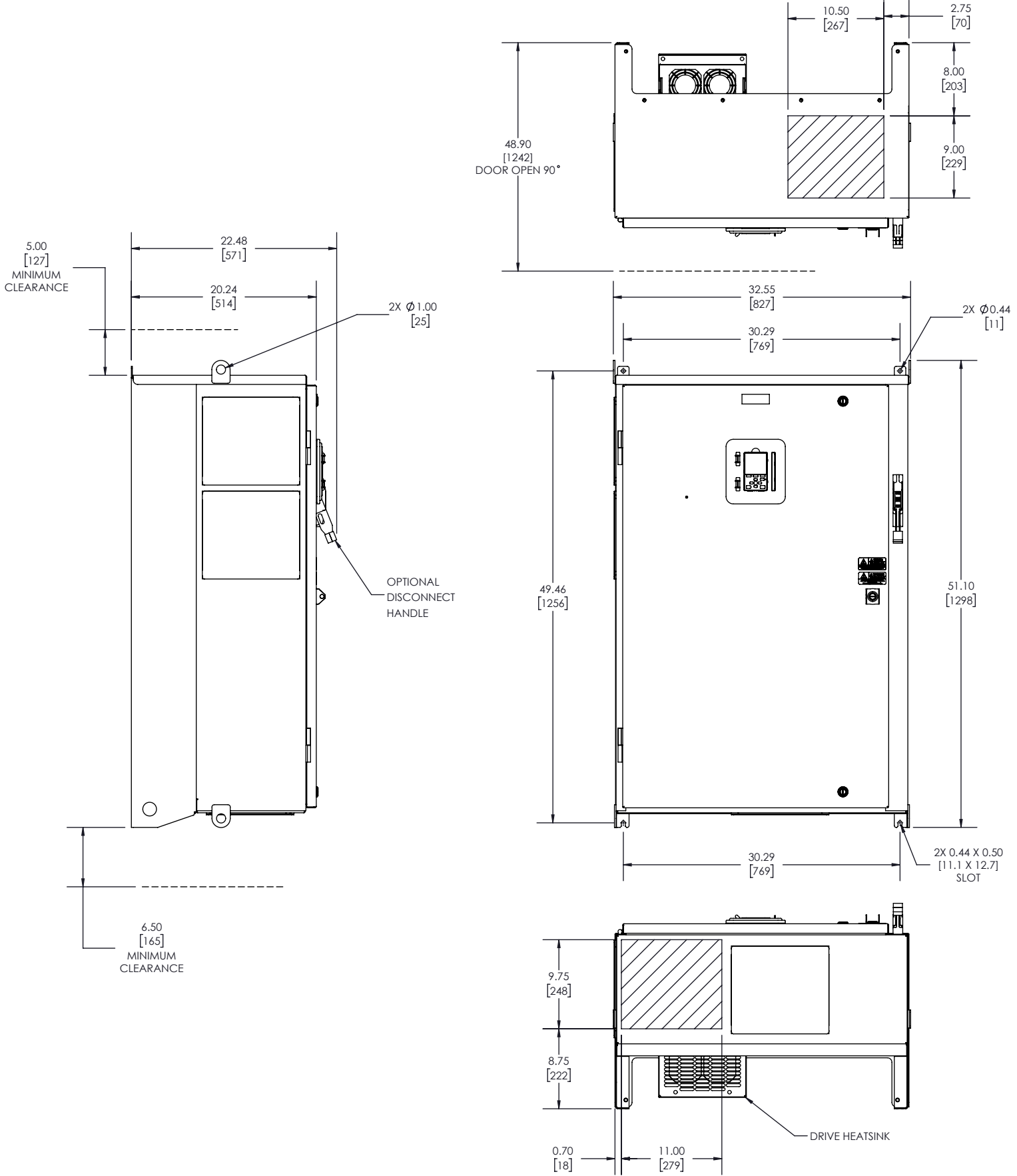
PAGE:
1 OF 2

APPROVED:
K. Flierl

DATE:
10/29/2019

DRAWING #:

DD.G.12.W4.01



	ORIGINAL DESIGN: A. Jandrin	DATE: 10/29/2019	TITLE: DIMENSION DRAWING, GA800, W4, TYPE 12		
	DRAWN: A. Jandrin	DATE: 10/29/2019	SIZE: A	REVISION: 00	PAGE: 2 OF 2
<small>THIS DOCUMENT AND INFORMATION CONTAINED IN IT ARE CONFIDENTIAL AND CANNOT BE COPIED OR DISCLOSED IN WHOLE OR IN PART WITHOUT THE EXPRESS WRITTEN CONSENT OF YASKAWA AMERICA INC.</small>	CHECKED: D. Guckenberger	DATE: 10/29/2019	DRAWING #:		
UNITS: INCHES	SCALE: NONE	APPROVED: K. Flierl	DATE: 10/29/2019	DD.G.12.W4.01	